

'JEEP' 1972.

'JEEP' COMMANDO



MORE POWER.



TOUGHNESS.

TRANSFER CASE

Quiet operating, 2-speed transfer case doubles number of gear ratios.

TRANSMISSION

Full synchromesh 3-speed and 4-speed manual. Built for toughness and longer life.

ENGINE

Choice of 3 tough engines: two 6-cylinder engines, 100 and 110 net horsepower; 304 CID V8 engine, 150 net horsepower.

FRAME

High strength. Built for rugged terrain. Resists bending and sagging, yet flexible enough for more safety and comfort.

OPEN-END FRONT AXLE

Increased capacity. Easier to service. Reduces wheel shimmy tendency.



MOBILITY.



As good as 'Jeep' is, we keep finding ways to make it better.

The only off-road vehicle with three engines.

'Jeep' now offers the widest range of power options of all its competitors. We've got an engine to match any job. You get a choice of two 6 cylinder, 100 net horsepower and 110 net horsepower engines to put more guts and power behind your work and still keep petrol costs down; and a big V8, 150 net horsepower engine for carrying, towing, pushing bigger loads, and for better traction.

Also, our engines include rocker arms which use "cylindrical" bearings for longer service life and quieter operating valve train, and a 2-speed transfer case linked to the transmission, to double the number of gear ratios. Of course, all 'Jeep' engines are known for their durability. Our engines have proven themselves by operating under all conditions, day after day, year after year.

So, now when it comes to acceleration performance, you'll find 'Jeep' is not one, but three up on the competition.

The stuff 'Jeeps' are made of.

Frames — All 'Jeep' frames have a yield strength ranging from 35,000 p.s.i. to 40,000 p.s.i., and a range in tensile strength of 47,000 to 60,000 p.s.i. This high strength enables 'Jeep' to withstand extremely high stresses encountered in many rugged off-road conditions. 'Jeep' frames are rigid enough to allow resistance against bending and sagging, yet resilient enough to provide some flexibility for better protection over rugged terrain.

Suspension — 'Jeep' now has a new increased capacity open-end front axle and ball-joint wheel ends, which reduces the tendency of wheel shimmy and makes servicing easier. 'Jeep' now has an increased capacity flanged-shaft rear axle which enhances its ruggedness and durability qualities and increases its maximum

carrying load capacity. This year's 'Jeep' also has increased capacity standard and optional front springs, and new recirculating-ball manual steering to provide fewer steering joints and reduce the frequency of overhauls, making servicing easier and reducing steering "play."

Drive Train — This year's 'Jeep' has an increased capacity full-synchromesh 3-speed floor shift transmission; an increased capacity clutch (10.5 inches) which reduces wear, increases load capacity for towing and carrying, and reduces the need for servicing; and a new transfer case for quieter operation.

Other Features — The 'Jeep' now also has a new rear-mounted gas tank, with an increased capacity of 16.5 gallons compared with 10.5 for previous models; a mandatory fuel tank skid plate option for greater protection; a larger cooling system which means less wear for the engine; and new increased capacity brake linings.

One good turn deserves a 'Jeep'.

Our new "forward" steering linkage and recirculating-ball manual steering box has reduced the steering effort, increased stability, and reduced the turning diameter (giving us one of the shortest turning diameters of our main competitors — in fact, our 'Jeep' Commando has a 37.6 foot radius compared with 38 feet for Land-Rover and 42 for Scout.)

When it comes to wheelbase, we're on the right track.

For added stability, comfort and safety, this year's 'Jeep' has a longer wheelbase. The exact length is 104 inches, compared to last year's 101 inches. We've added to this wider tread (51.5" front and 50" rear) and a higher axle clearance of 8". The total effect of these changes can be felt in a greater longitudinal and latitudinal stability. Naturally this also enhances your comfort during a hard ride over rough terrain.

Increasing the wheelbase and tread, while decreasing the turning radius, is what gives 'Jeep' better maneuverability than any other off-road vehicle.

Features that will make molehills out of mountains.

The 1972 'Jeep' Commando is available in Open Body, Convertible Top, Half Fabric Top, Metal Full Cab, and Metal Half Cab models. You can see 'Jeep' is suitable for all types of conditions. Obviously the roofed-in vehicles offer the best protection in wet, rainy, snowy climates or under dusty conditions encountered during farm, mining, and road work.

'Jeep' accessories include both front and rear seat options. Options like 2/3 and 1/3 split front and rear bench seats, new increased capacity heater/defroster, air conditioning, radio, oil and ammeter gauges, and even an optional cigarette lighter and ashtray.

This year's special equipment includes choice of electrical winches, "Trac-lok" differential, selective drive hubs, trailer hitch, and an angle blade. We also feature optional axle ratios, 4-speed transmission (6 cylinder models only), heavy duty springs, a choice of tires, power brakes for our V8, and power steering. A few more big pluses this year include a new foot operated park brake, new suspended brake and clutch pedals to eliminate dust and water leaks from floor holes, a new location for the brake master cylinder for easier access and servicing, higher ground clearance, easy step height, wider loading space, and lots more.

With things we've made this year one thing about 'Jeep' hasn't changed since 1941. It's still the best off-road vehicle in the world.

Equipment and power features, illustrated or described in this brochure, are optional at extra cost unless otherwise specified. Certain equipment items may not be available for all models. American Motors, whose policy is one of continuous improvement, reserves the right to discontinue or change specifications, models, equipment or prices at any time without incurring any obligation. This also applies to local assembly or manufacture areas where local content requirements may affect standard and/or optional specifications.

VERSATILITY.



Metal Full Cab



Open Body



Metal Half Cab

PRINTED IN U.S.A.

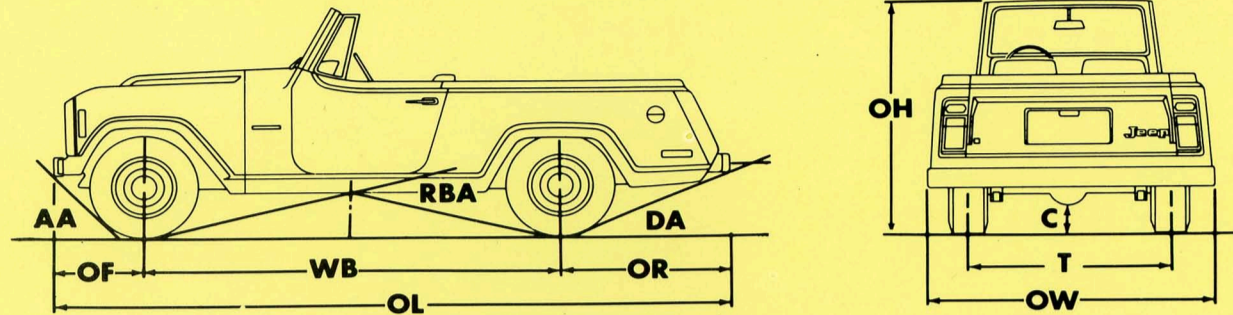
FORM NO. JIC-72



Jeep

Jeep International Corporation
A SUBSIDIARY OF AMERICAN MOTORS CORPORATION

Jeep' Commando Specifications Sheet



MAJOR DIMENSIONS		8705 Open Body		8705 Open Body		8705 Open Body		8705-H Half Cab		8705-H Half Cab		8705-H Half Cab		8705-F Full Cab		8705-F Full Cab		8705-F Full Cab	
		USA	METRIC	USA	METRIC	USA	METRIC	USA	METRIC	USA	METRIC	USA	METRIC	USA	METRIC	USA	METRIC	USA	METRIC
WB	WHEELBASE (in/cm)	104	264.2	104	264.2	104	264.2	104	264.2	104	264.2	104	264.2	104	264.2	104	264.2	104	264.2
OL	OVERALL LENGTH (in/cm)	174.5	443.2	174.5	443.2	174.5	443.2	174.5	443.2	174.5	443.2	174.5	443.2	174.5	443.2	174.5	443.2	174.5	443.2
OH	OVERALL HEIGHT (in/cm)	63.6	161.5	63.6	161.5	63.6	161.5	63.6	161.5	63.6	161.5	63.6	161.5	63.6	161.5	63.6	161.5	63.6	161.5
OW	OVERALL WIDTH (in/cm)	65.2	165.6	65.2	165.6	65.2	165.6	65.2	165.6	65.2	165.6	65.2	165.6	65.2	165.6	65.2	165.6	65.2	165.5
T	TREAD, FRONT (in/cm)	51.5	130.8	51.5	130.8	51.5	130.8	51.5	130.8	51.5	130.8	51.5	130.8	51.5	130.8	51.5	130.8	51.5	130.8
T	TREAD, REAR (in/cm)	50.0	127	50.0	127	50.0	127	50.0	127	50.0	127	50.0	127	50.0	127	50.0	127	50.0	127
OF	OVERHANG, FRONT (in/cm)	26.1	66.3	26.1	66.3	26.1	66.3	26.1	66.3	26.1	66.3	26.1	66.3	26.1	66.3	26.1	66.3	26.1	66.3
OR	OVERHANG, REAR (in/cm)	44.4	112.8	44.4	112.8	44.4	112.8	44.4	112.8	44.4	112.8	44.4	112.8	44.4	112.8	44.4	112.8	44.4	112.8
C	FRONT AXLE CLEARANCE (in/cm)	7.5	19.1	7.5	19.1	7.5	19.1	7.5	19.1	7.5	19.1	7.5	19.1	7.5	19.1	7.5	19.1	7.5	19.1
C	REAR AXLE CLEARANCE (in/cm)	7.5	19.1	7.5	19.1	7.5	19.1	7.5	19.1	7.5	19.1	7.5	19.1	7.5	19.1	7.5	19.1	7.5	19.1
AA	APPROACH ANGLE	44°		44°		44°		44°		44°		44°		44°		44°		44°	
DA	DEPARTURE ANGLE	24°		24°		24°		24°		24°		24°		24°		24°		24°	
RBA	RAMP BREAKOVER ANGLE	29°		29°		29°		29°		29°		29°		29°		29°		29°	

ENGINE SPECIFICATIONS

MODEL	232 CID		258 CID		304 CID		232 CID		258 CID		304 CID		232 CID		258 CID		304 CID	
CYLINDERS	6		6		8		6		6		8		6		6		8	
NET HORSEPOWER	100 @ 3600		110 @ 3500		150 @ 4200		100 @ 3600		110 @ 3500		150 @ 4200		100 @ 3600		110 @ 3500		150 @ 4200	
DISPLACEMENT (in ³ /cm ³)	232	3803	258	4229	304	4983	232	3803	258	4229	304	4983	232	3803	258	4229	304	4983
NET TORQUE (ft-lb/kilo-metre)	185	275	195	290	245	365	185	275	195	290	245	365	185	275	195	290	245	365
	@ 1800		@ 2000		@ 2500		@ 1800		@ 2000		@ 2500		@ 1800		@ 2000		@ 2500	

GENERAL SPECIFICATIONS

AIR CLEANER	Oil		Oil		Oil		Oil		Oil		Oil		Oil		Oil		Oil	
BATTERY	12v		12v		12v		12v		12v		12v		12v		12v		12v	
CARBURETOR	1 Barrel		1 Barrel		2 Barrel		1 Barrel		1 Barrel		2 Barrel		1 Barrel		1 Barrel		2 Barrel	
TRANSFER CASE	2 Speed		2 Speed		2 Speed		2 Speed		2 Speed		2 Speed		2 Speed		2 Speed		2 Speed	
TRANSMISSION	3-4 Speed		3-4 Speed		3 Speed		3-4 Speed		3-4 Speed		3 Speed		3-4 Speed		3-4 Speed		3 Speed	
TIRES	7.35 x 15 (4 ply)		7.35 x 15 (4 ply)		7.35 x 15 (4 ply)		7.35 x 15 (4 ply)		7.35 x 15 (4 ply)		7.35 x 15 (4 ply)		7.35 x 15 (4 ply)		7.35 x 15 (4 ply)		7.35 x 15 (4 ply)	
AXLE, FRONT CAPACITY (lb/kilo)	2300	1043	2300	1043	2300	1043	2300	1043	2300	1043	2300	1043	2300	1043	2300	1043	2300	1043
AXLE, REAR CAPACITY (lb/kilo)	3000	1361	3000	1361	3000	1361	3000	1361	3000	1361	3000	1361	3000	1361	3000	1361	3000	1361
EFFECTIVE BRAKELINING AREA (in ² /cm ²)	181	1167.8	181	1167.8	181	1167.8	181	1167.8	181	1167.8	181	1167.8	181	1167.8	181	1167.8	181	1167.8
COOLING SYS CAP w/HEATER (qt/litre)	10.5	9.9	10.5	9.9	10.5	9.9	10.5	9.9	10.5	9.9	10.5	9.9	10.5	9.9	10.5	9.9	10.5	9.9
CLUTCH DIAMETER (in/cm)	10.5	26.7	10.5	26.7	10.5	26.7	10.5	26.7	10.5	26.7	10.5	26.7	10.5	26.7	10.5	26.7	10.5	26.7
FUEL TANK CAPACITY (gal/litre)	16.5	62.5	16.5	62.5	16.5	62.5	16.5	62.5	16.5	62.5	16.5	62.5	16.5	62.5	16.5	62.5	16.5	62.5
SPRING, FRONT (lb-in/grms-cm)	158	28,218	158	28,218	158	28,218	158	28,218	158	28,218	158	28,218	158	28,218	158	28,218	158	28,218
SPRING, REAR (lb-in/grms-cm)	200	35,720	200	35,720	200	35,720	200	35,720	200	35,720	200	35,720	200	35,720	200	35,720	200	35,720
CURB WEIGHT (lbs/kilo) w/std engine	2790	1265	2790	1265	2790	1265	2939	1333	2939	1333	2939	1333	3002	1361	3002	1361	3002	1361
GROSS VEHICLE WEIGHT (lbs/kilo)	3900/4700	1769/2132	3900/4700	1769/2132	3900/4700	1769/2132	3900/4700	1769/2132	3900/4700	1769/2132	3900/4700	1769/2132	3900/4700	1769/2132	3900/4700	1769/2132	3900/4700	1769/2132